

# ASSEMBLY INSTRUCTIONS

## WALL DIGANAL CABINET (WDC2442, WDC2742)

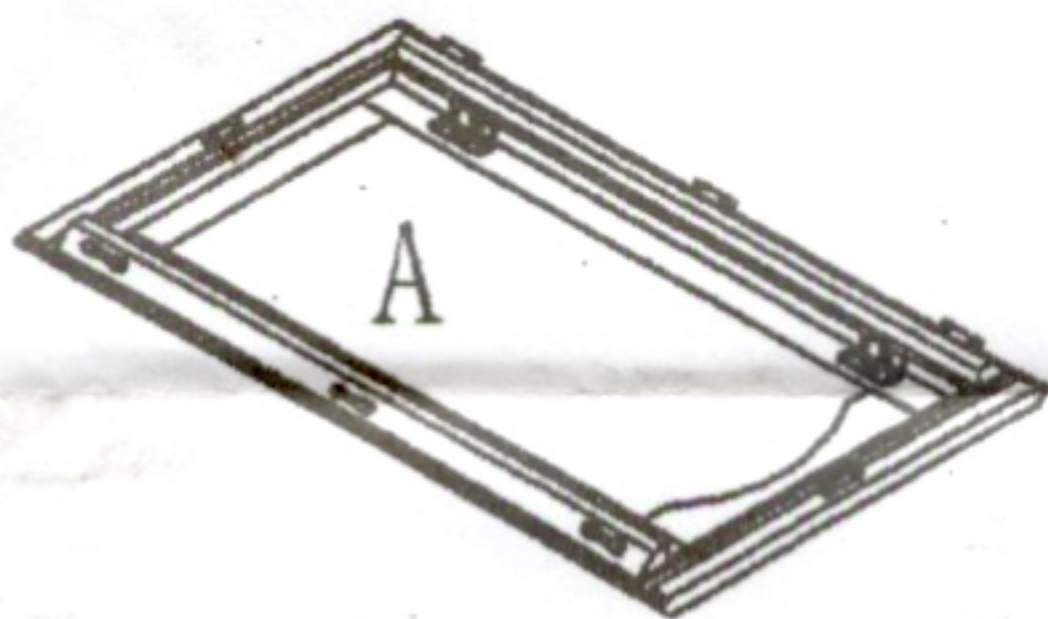
### CABINET PARTS LIST

A-Door & Face Frame B-End Panels(2) B1-Back End Panels(2) C-Shelves(3)  
D-Bottom Panel & Top Panel E-Back Panel

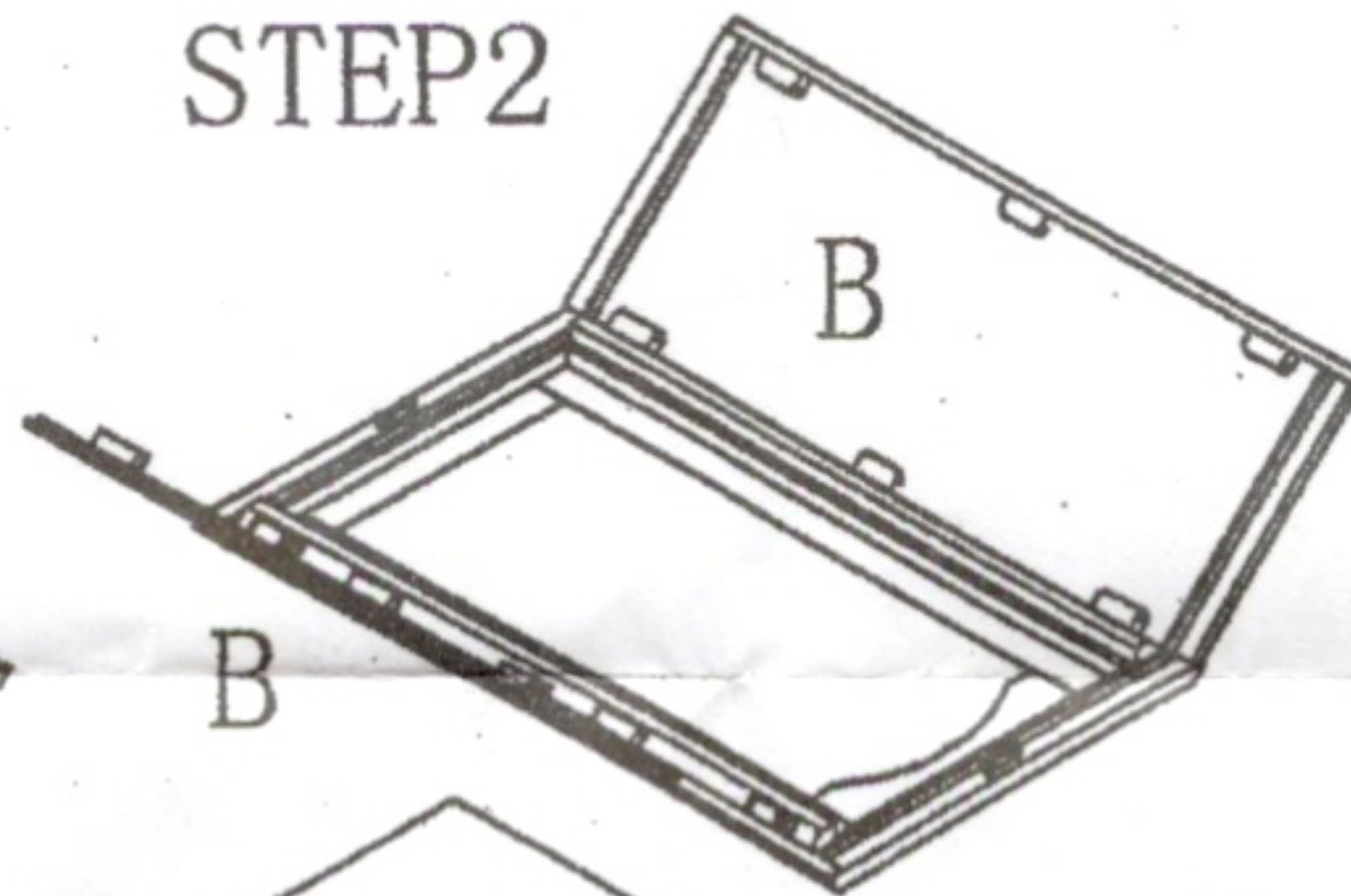
### HARDWARE PARTS LIST

1. Shelf Clips (12) 2. Screws (Ø3\*12) 4.

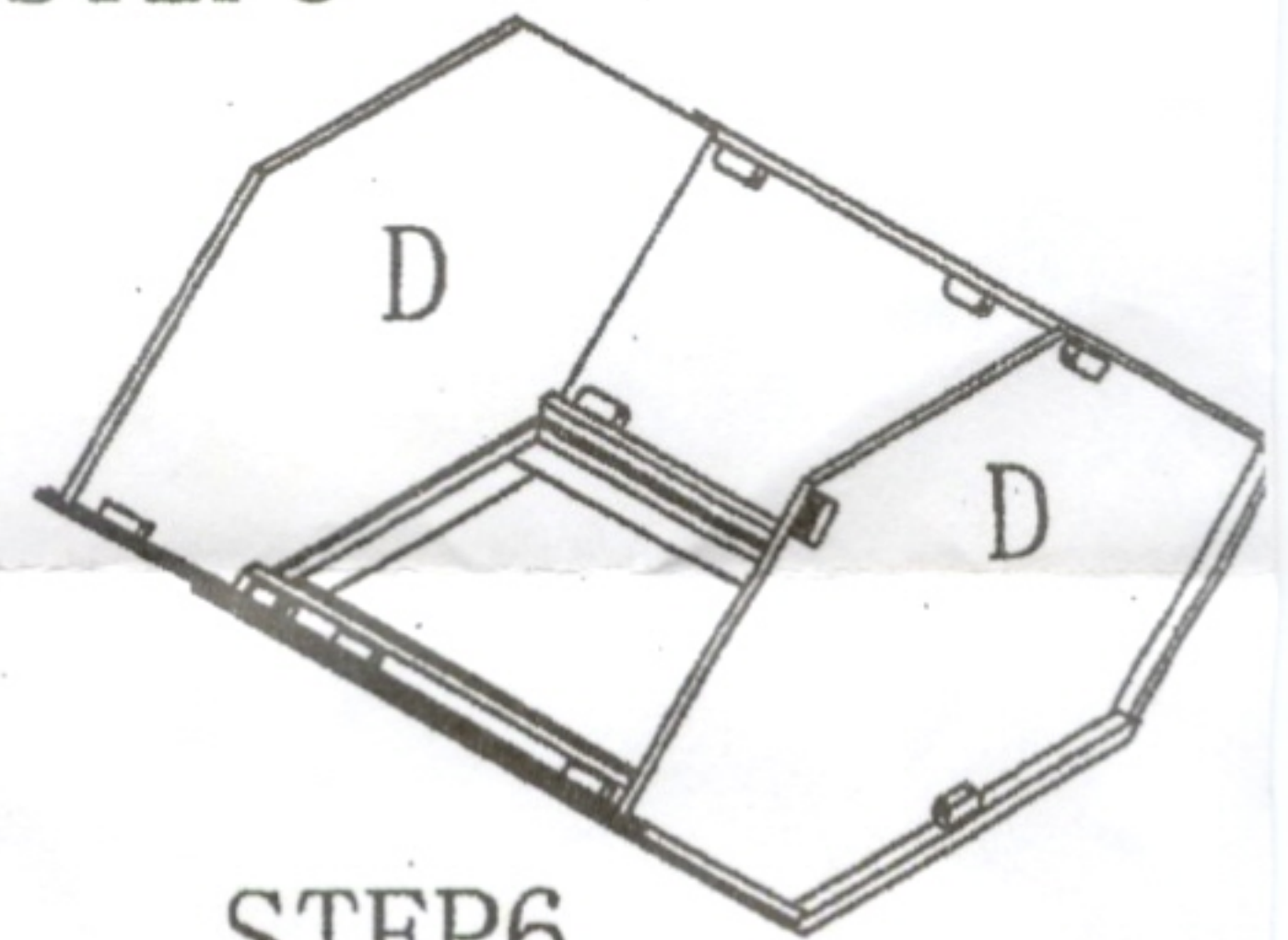
STEP1



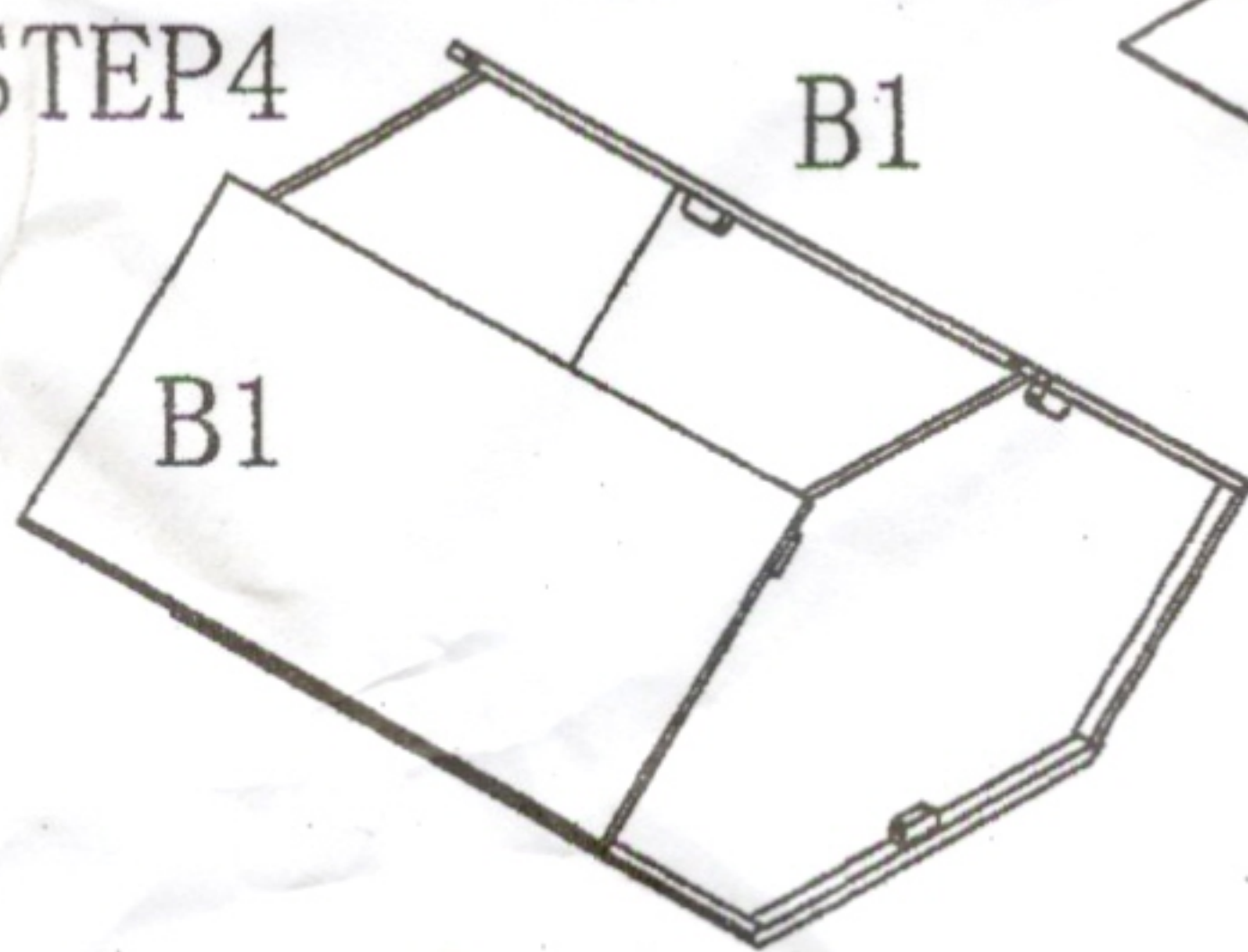
STEP2



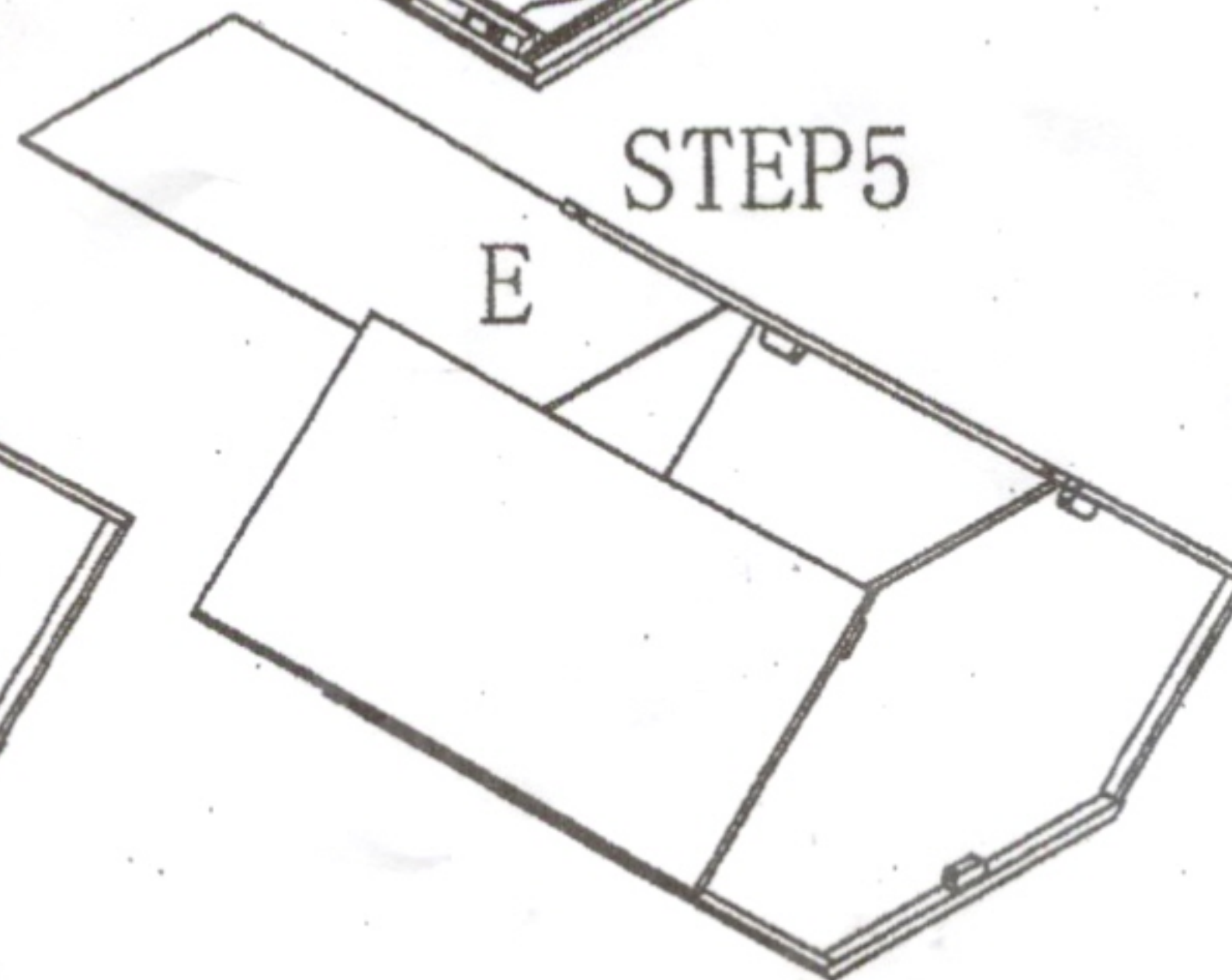
STEP3



STEP4



STEP5



STEP6

