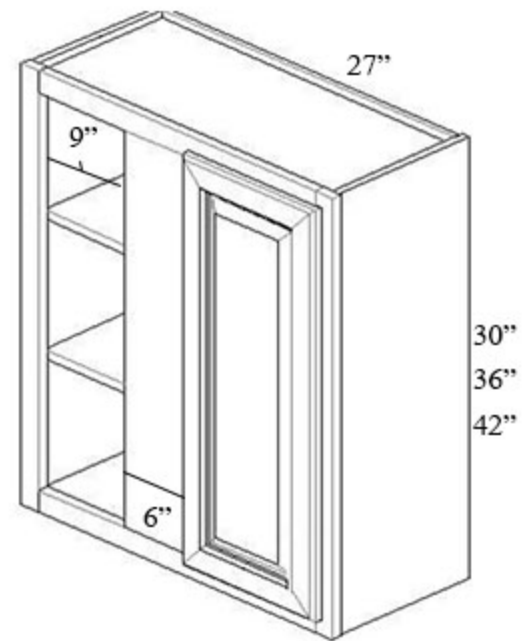


R (Blind on Right)



L (Blind on Left)

*Filler is required between cabinet and adjacent cabinet.
 Recommended Minimum Pull 27," Maximum 30"
 (Minimum pull may vary depending on hardware.)*

ITEM	CAB WIDTH	CAB HEIGHT	DOOR WIDTH*	BLIND OPENING	CENTER STILE WIDTH
WBC2730L/R	27"	30"	12"	9"	6"
WBC2736L/R	27"	36"	12"	9"	6"
WBC2742L/R	27"	42"	12"	9"	6"

*For reference only. Door width may vary ± 1 " depending on cabinet style, and door overlay.