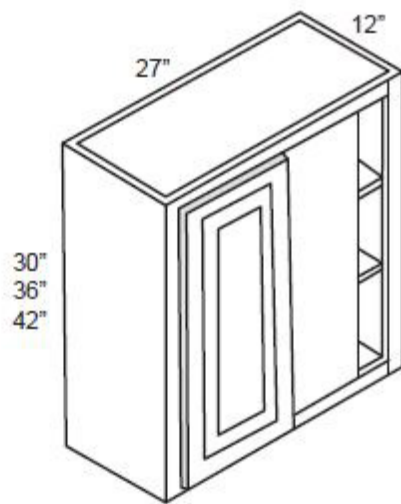
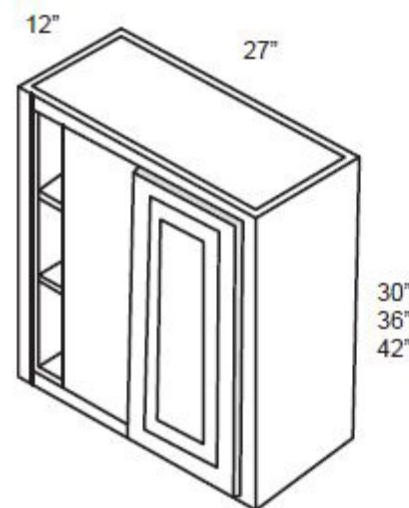


Wall Blind Specification Guide



R (Blind on Right)



L (Blind on Left)

Filler is required between cabinet and adjacent cabinet.

Recommended Minimum Pull 27," Maximum 30"

(Minimum pull may vary depending on hardware.)

	CAB WIDTH	CAB HEIGHT	DOOR WIDTH*	BLIND OPENING	CENTER STILE WIDTH
WBC2730-30L	27"	30"	13 9/32"	5 27/32"	7 5/32"
WBC2730-30R	27"	30"	13 9/32"	5 27/32"	7 5/32"
WBC2730-36L	27"	36"	13 9/32"	5 27/32"	7 5/32"
WBC2730-36R	27"	36"	13 9/32"	5 27/32"	7 5/32"
WBC2730-42L	27"	42"	13 9/32"	5 27/32"	7 5/32"
WBC2730-42R	27"	42"	13 9/32"	5 27/32"	7 5/32"

*For reference only. Door width may vary ± 1 " depending on cabinet style, and door overlay.