

Kitchen Cabinets (wall)

ASSEMBLY INSTRUCTIONS

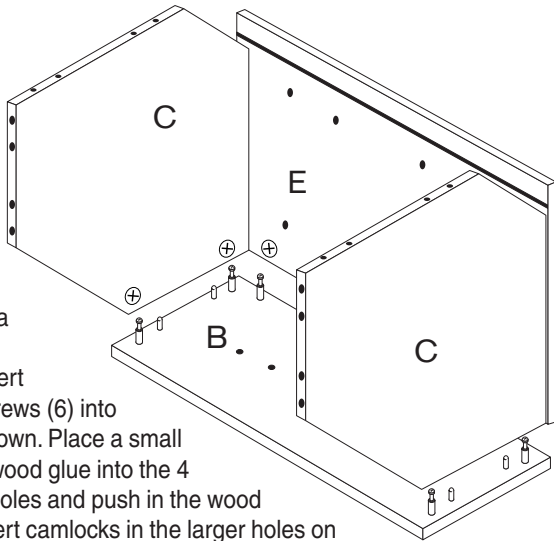
WDC2430, WDC2436, WDC2442

PARTS LIST: A – Faceframe with door (1 piece)
 B – Side Panel (2 pieces)
 C – Bottom (2 pieces)
 D – Rear Side Panel (2 pieces)
 E – Back Panel (1 piece)

F – Shelf (2 pieces)
 H – Hardware Box (1):
 cam locks
 metal screw dowels
 wooden dowels
 shelf clips
 back screws.

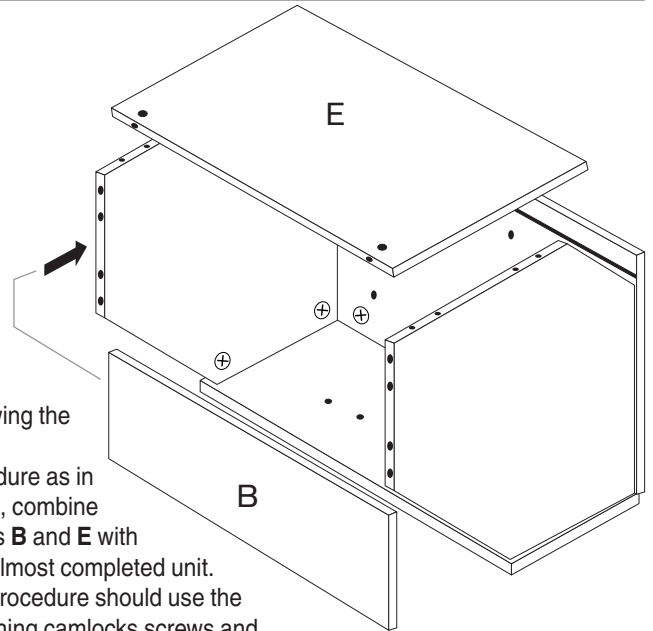
TOOL LIST: Phillips screwdriver
 (or Cordless drill with
 phillip tip, optional)

(1)



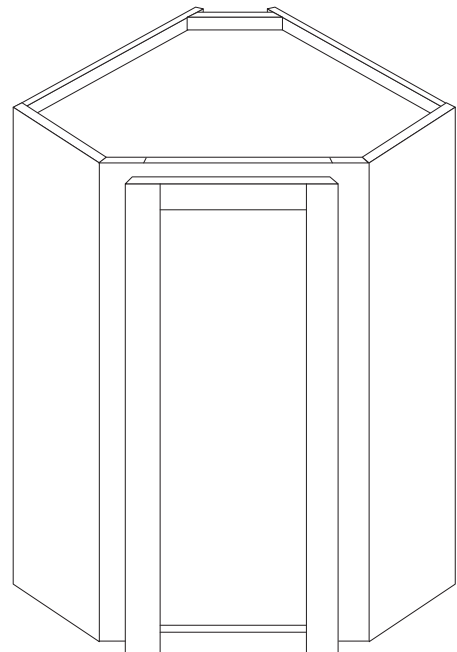
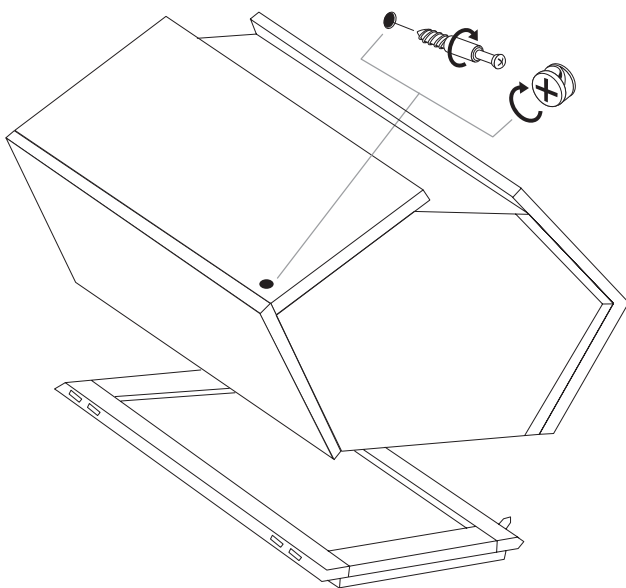
Place panel **B** on a flat, clean surface. Insert camlock screws (6) into holes as shown. Place a small amount of wood glue into the 4 remaining holes and push in the wood dowels. Insert camlocks in the larger holes on both **C** panels. Follow the same procedure for attaching panel **E** to combined **C** and **B** panels.

(2)



Following the same procedure as in illus. 1, combine panels **B** and **E** with your almost completed unit. This procedure should use the remaining camlocks screws and wood dowels.

(3)



TIPS: Don't rush the assembly, get it right the first time. Test fit first before locking anything down. Don't over tighten the cam locks and only use a screw driver on them, since a cordless drill could have too much torque and break the cam.